

5 YEAR WARRANTY

## V-INSP-S

Maturing cabinet

Built-in and Flush-fitted – Integrated solid door  
1-temperature



Sliding shelf  
(6 bottles)  
ACMSIW / ACMSIB



Wine service area  
(11 bottles)  
ACMSERVW / ACMSERVB



Storage shelf  
(up to 22 bottles)  
AXIHW / AXIHB



Half shelf  
(5 bottles)  
ACMSI-DEMI

### CONFIGURATIONS

Premium Pack bottle capacity <sup>1</sup>	Service Pack bottle capacity <sup>1</sup>	Access Pack bottle capacity <sup>1</sup>
29	28	30
4 sliding shelves (+grid)	2 sliding shelves 1 half shelf 1 Wine service area	1 sliding shelf 1 storage shelf (+grid)

### TECHNICAL FEATURES

#### REGULATION

- On/Off/Standby of the display button
- Electronic regulation
- Temperature setting range between 5°C and 20°C
- Electronic external display and settings
- LED screen
- Backlit capacitive keys
- Visual and/or sound alarms in case of:
  - Temperature dysfunction (sound and visual)
  - Hygrometry dysfunction (visual)
  - Sensor fault (sound and visual)
  - Hygrometry limit (visual)
  - Open door (sound and visual)
  - Need to replace charcoal filter (visual)
- Automatic defrost
- Frost protection thermostat (double protection)

#### HOT – COLD – INSULATION TECHNOLOGIES

Cold production:	<ul style="list-style-type: none"> <li>• Static</li> <li>• Compressor R600a</li> </ul>
Cords:	<ul style="list-style-type: none"> <li>• CE/UK/AU/CH/US</li> </ul>
Heat production:	<ul style="list-style-type: none"> <li>• Heating element</li> </ul>
Heat release:	<ul style="list-style-type: none"> <li>• Automatic, adjustable threshold</li> </ul>
Inner material:	<ul style="list-style-type: none"> <li>• Stucco aluminum</li> </ul>
Exterior coating material:	<ul style="list-style-type: none"> <li>• HDF (High Density Fiber) melamine-faced panels</li> </ul>
Insulation type:	<ul style="list-style-type: none"> <li>• Injected polyurethane foam (59mm)</li> </ul>

### GENERAL FEATURES

	Integrated solid
Gross weight packaged (kg)	58,2
Empty net weight (kg)	49,7
Dimensions H x W x D (mm)	810-880 x 594 x 590
Dimensions packaged H x W x D (mm)	980 x 645 x 630

### EQUIPMENT & ACCESSORIES

#### EQUIPMENT

- Reversible integrated solid door with soft close and door stop
- Max thickness of the door panel: 20 mm
- Max weight of the door panel: 12 kg
- Inner lighting : light strip and 2 LED (3 options: permanent, open door, disabled)
- Charcoal filter
- 4 adjustable feet
- Humidity cartridge

#### ACCESSORIES

- Sliding shelves with Mains du Sommelier, open / close locking notch, setting of the Main du Sommelier at the front of the shelf
- 6 removable bottles identifiers per sliding shelf
- 1 erasable felt-tip marker
- 1 microfiber cloth
- 1 EuroCave key ring

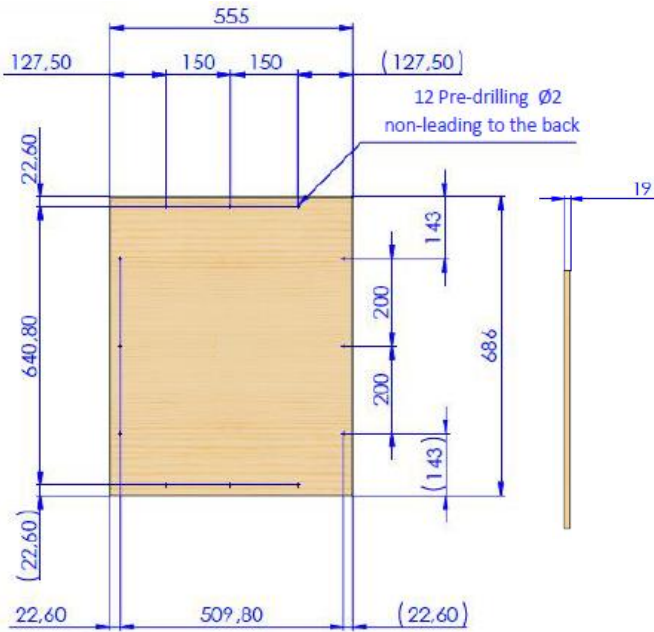
### ENERGY EFFICIENCY & CONSUMPTION

Cords	230V-50Hz (R600a)
Type of door	Integrated solid
Energy efficiency class	A+
Annual energy consumption AEc <sup>2</sup> (Kwh/year)	103
Useful volume (liters)	100
Sound emission (dB(A))	38
Ambient temperature range (°C)	12-35

1. Traditional Bordeaux bottles

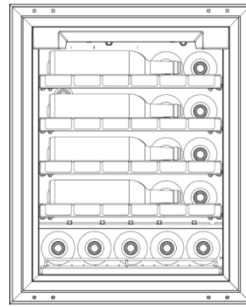
2. Calculation based on the result obtained over 24 hrs in standard conditions (25°C / 77°F)

## Dimensions of the decorative panel

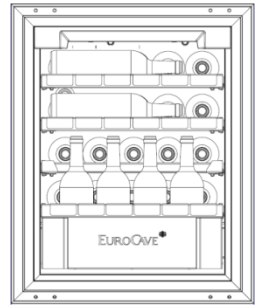


**S SIZE**

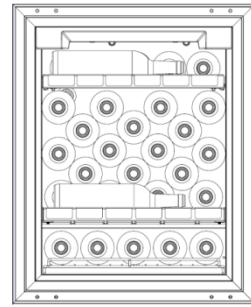
## Storage layouts



**Premium Pack**

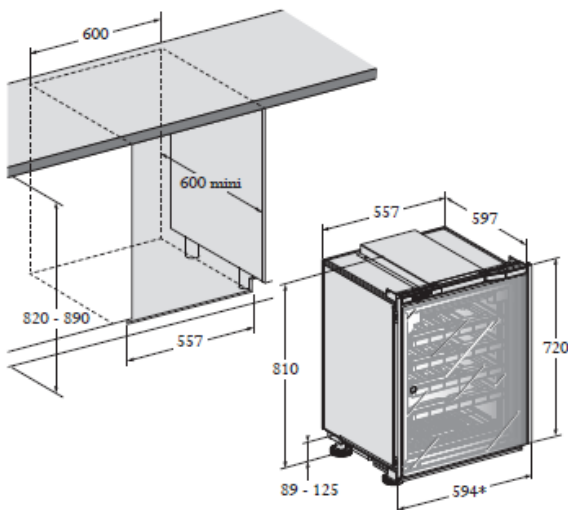


**Service Pack**

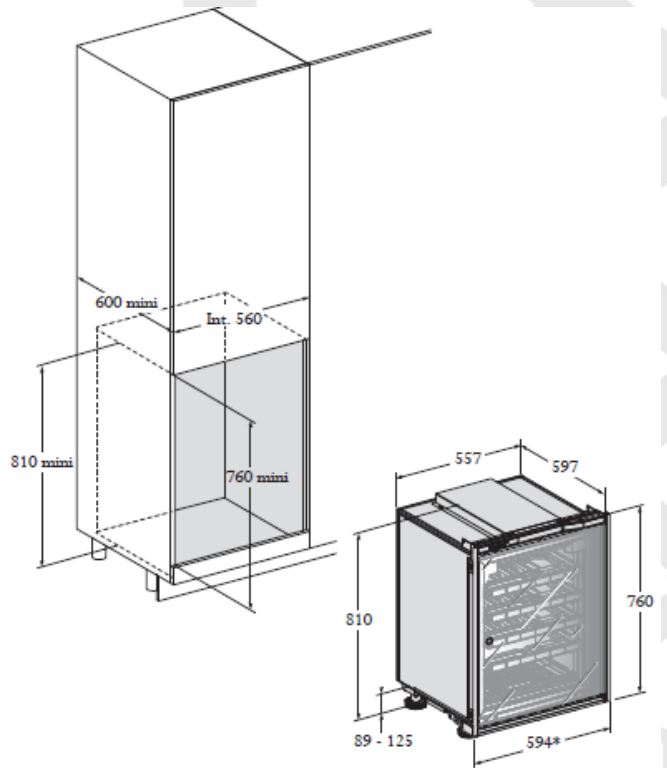


**Access Pack**

## Installation diagrams



**Built-in**



**Flush-fitted**